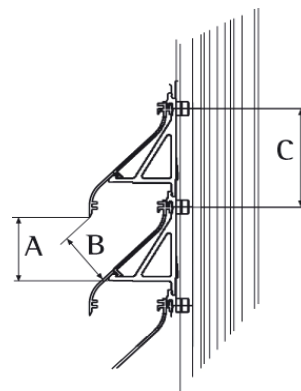
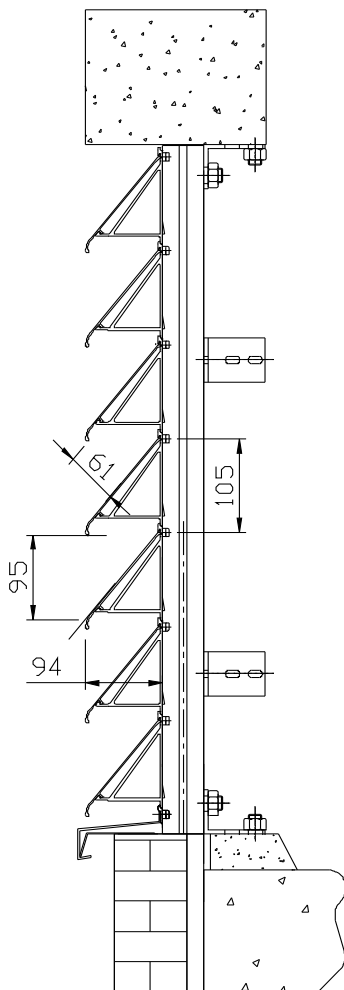


CHARACTERISTICS

TYPE	DUCOWALL W90HP
DESCRIPTION	Continuous louvre wall, heavy duty series
SHAPE OF BLADE	90HP
FREE AREA	90% (visual free area)
NET OPENING	57% (physical free area)
BLADE HEIGHT	111 mm
PITCH	105 mm
MAX. BLADE LENGTH	6000 mm
MESH	° Insect or bird screen in SAA
TYPE OF MULLION	50/50, 50/12, 21/50 MULTI of 30/12
MATERIALS	Aluminium extrusions Al Mg Si 0,5 Profile thickness: min. 1,5 mm Surface treatment: ° Standard SAA (15-20µm) ° enamelled polyester powder coating (60-80µm) Thermoplastic parts Polyamide PA 6.6 - reinforced with glass fibre
COLOURS	all RAL colours are available



Free area: A/C
Net opening: B/C

DucoWall 90HP